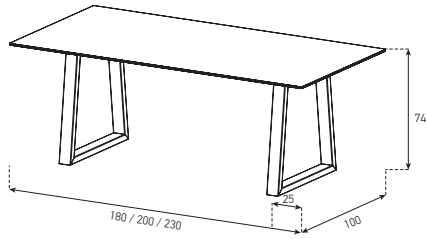
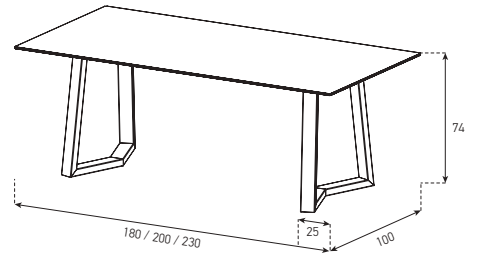


DINING TABLES

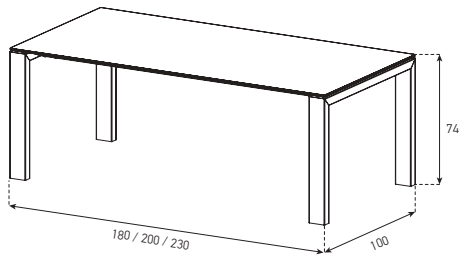
TRAPEZOID



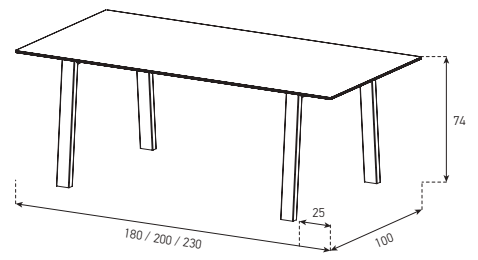
WARP



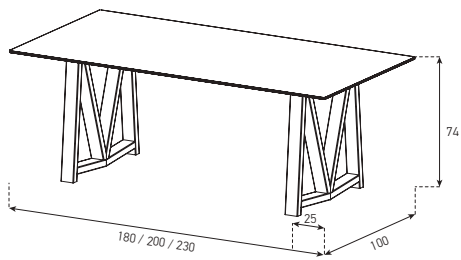
PORTAL



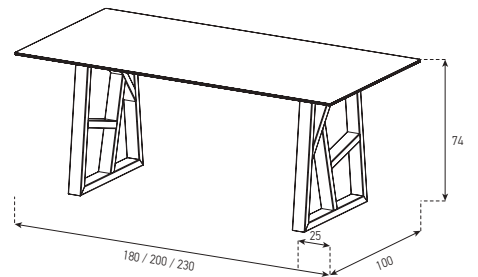
CHEVRON



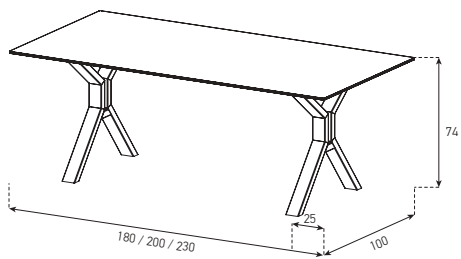
MIRROR



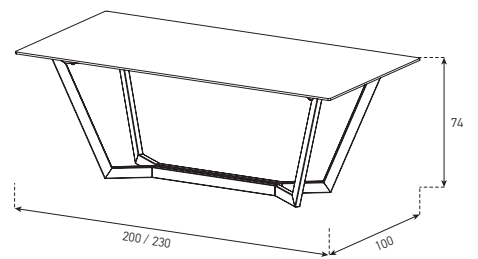
MAZE



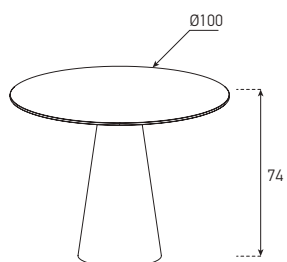
TWIN



GONDOLA



CONE



NET

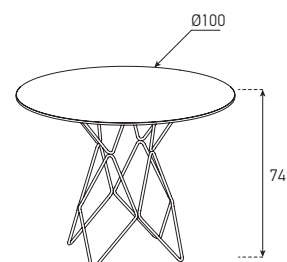


Table
CODE SAMPLE

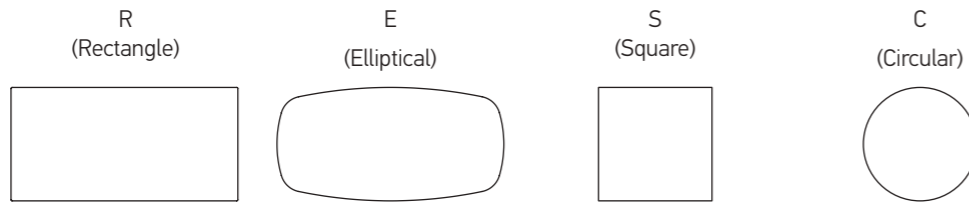
TBL-F-R20EMP-MZ-BLK

1 2 3 4 5 6

1) Feature :

F (Fixed) L* (Lift opening mechanism) U* (Universal opening mechanism)

2) Shape :



3) Dimensions (cm):

10 (100X100) 16 (160X100) 18 (180X100) 20 (200X100) 23 (230X100)

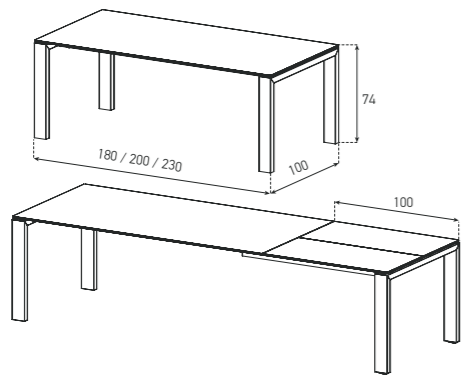
4) Table Decor : Category (F / F+)

5) Leg :

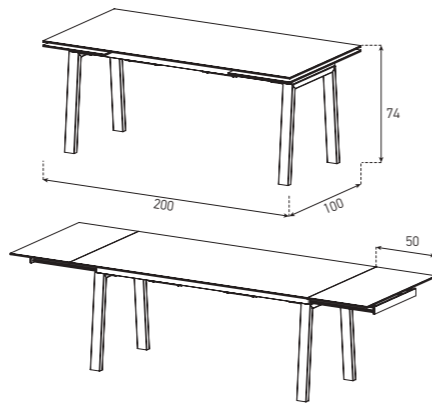
TR (Trapezoid) WR (Warp) TW (Twin) MZ (Maze) CH (Chevron)
PT (Portal) MR (Mirror) GD (Gondola) CN (Cone) NT (Net)

6) Leg Colors : Metal legs "Category (D)"
Solid wood leg only for PORTAL "Category (C)"

UNIVERSAL OPENING



LIFT OPENING



*Limitations:

- 1) Feature: Lift opening mechanism works only with "CHEVRON" leg. Universal opening mechanism works only with "PORTAL" leg.
- 2) Shape: Only "RECTANGLE" shape have opening mechanism
- 3) Dimensions: "16" is available for only "LIFT" feature
- 5) Legs: "CN" and "NT" only for "S" and "C" shaped tables

EDGE TYPES	BEVELED		FLAT		CERAMIC		GLASS	
	WOOD	GLASS	WOOD	GLASS	WOOD	GLASS	WOOD	GLASS
LAMINATION MATERIALS AND THICKNESS (mm)	GLASS / WOOD	18 + 4	○	—	—	○	○	○
	GLASS / GLASS	8 + 4	○	○	—	○	○	○
	CERAMIC / WOOD	18 + 5	○	—	—	○	○	○
		18 + 3	○	—	—	○	○	○
	CERAMIC / CERAMIC	3 + 3	○	○	—	○	○	○
		6 + 5	○	○	—	○	○	○
LEG TYPES	wood leg	○	—	○	—	—	—	—
	net	○	—	—	—	○	○	○
	cone	○	—	—	—	—	○	○
	gondola	○	—	—	—	○	—	—
	mirror	○	—	—	—	○	—	—
	twin	○	—	—	—	○	—	—
	portal	○	—	—	○	—	—	—
	maze	○	—	—	—	○	—	—
	warp	○	—	—	—	○	—	—
	trapezoid	○	—	—	—	○	—	—
TABLE TOP DIMENSIONS (cm)	120x120 ¹ 100x100 90x90	—	—	—	—	○	○	○
	160x90 ² 180x90 200x90	○	○	○	○	—	—	—
	160x100 ³ 180x100 200x100 230x100 ²	○	○	○	○	—	—	—
SHAPE	RECTANGLE	FIX	EXTENSION LIFT +50 / +50 cm	EXTENSION UNIVERSAL +100 cm	FIX			
	ELLIPTICAL	○	○	○	○	○	○	○
FEATURE	SQUARE	○	○	○	○	○	○	○
	CIRCULAR	○	○	○	○	○	○	○

“○” : suitable.
“—” : not suitable.

Note :
1 Extension lift opening dimensions are +40 / +40 cm.
2 Can not be produced with extension function.
3 Only circular shaped can be produced as requested.