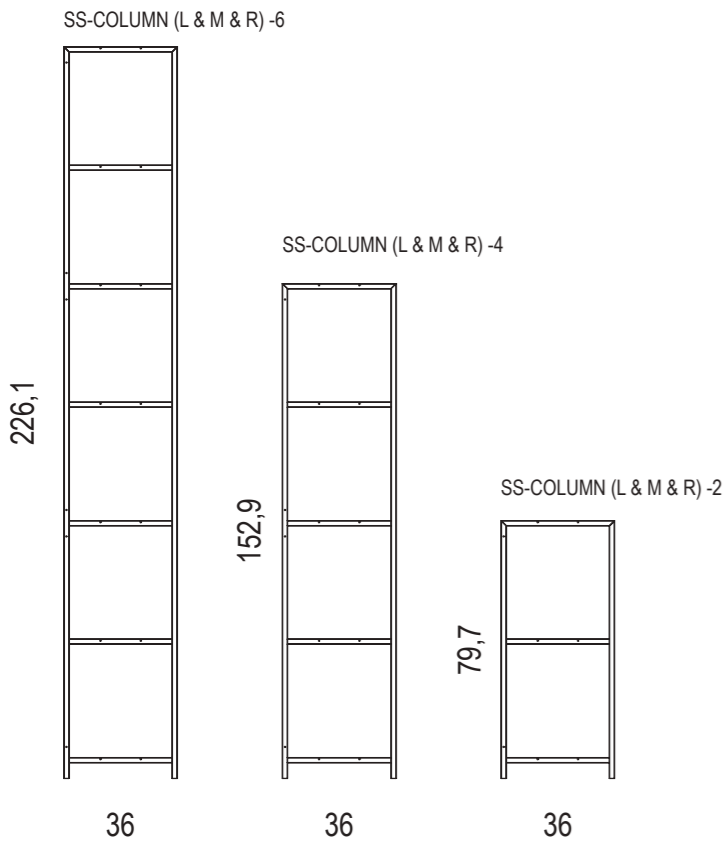


SHELF & BOX SYSTEM
CODE SAMPLE

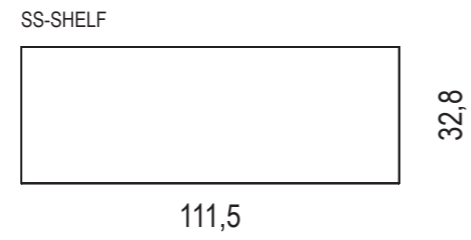
SHELF & BOX SYSTEM
SAMPLE ORDER CODES

Standart column measures (cm)

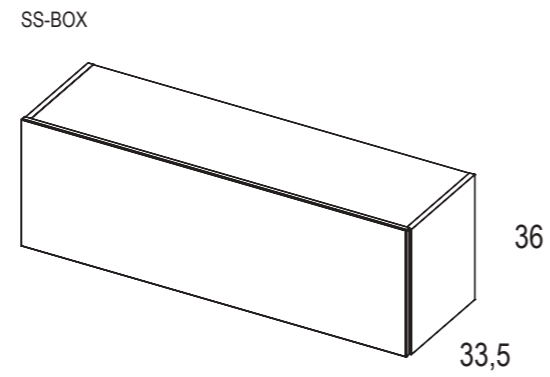


Note: L & M & R = Left & Middle & Right

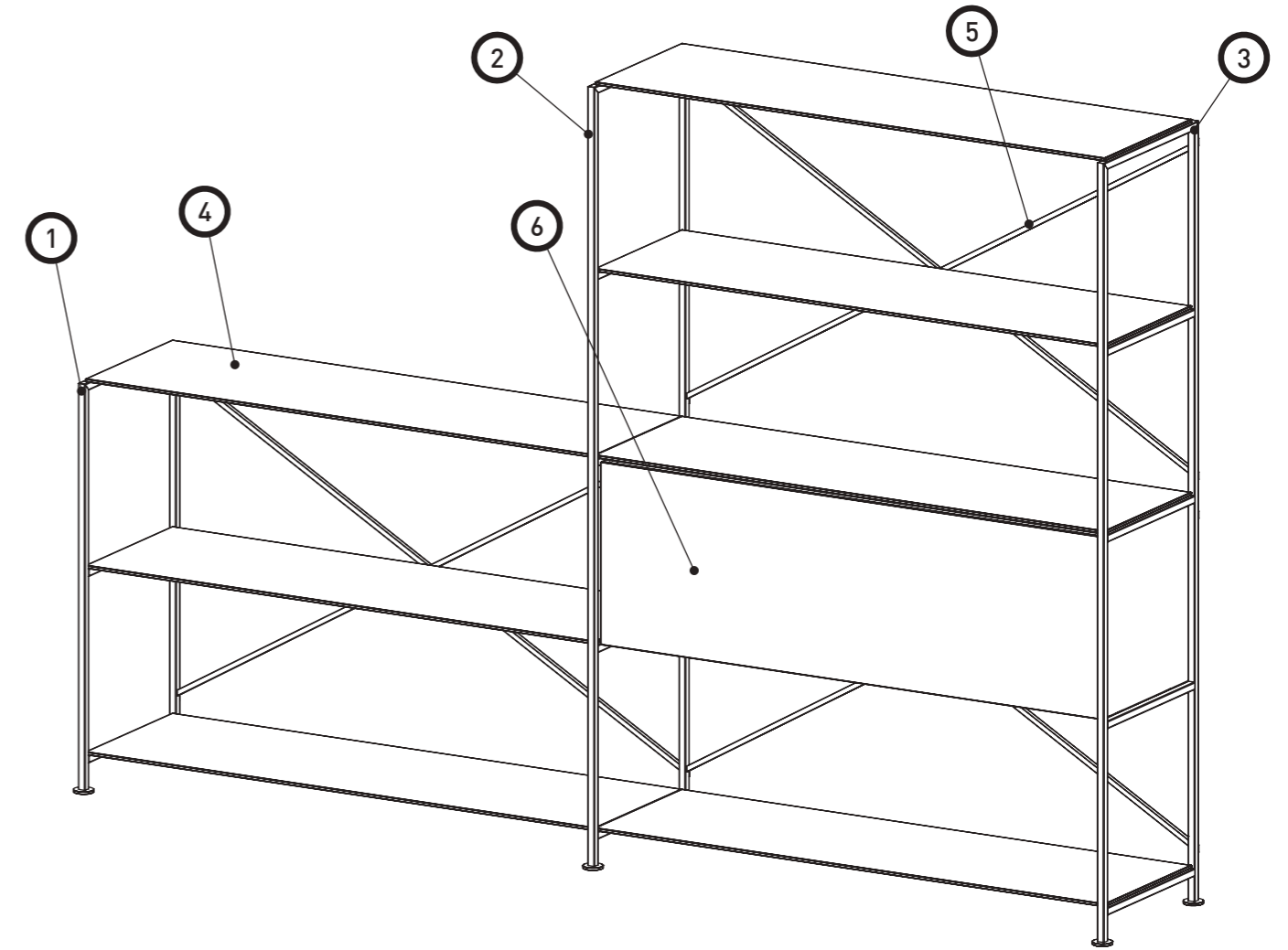
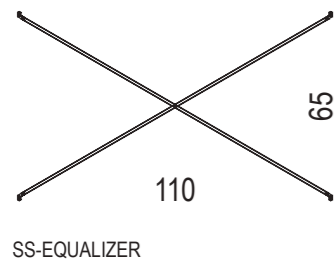
Shelf



Storage box



Equalizer



COLUMNS:

- 1. SS-COLUMN LEFT-2-WHT X1
- 2. SS-COLUMN MIDDLE-4-WHT X1
- 3. SS-COLUMN RIGHT-4-WHT X1

SHELVES:

- 4. SS-SHELF-WHT -WHTC X7

EQUALIZERS:

- 5. SS-EQUALIZER-WHT X3

STORAGE BOX:

- 6. SS-BOX-WHT-PLS X1